

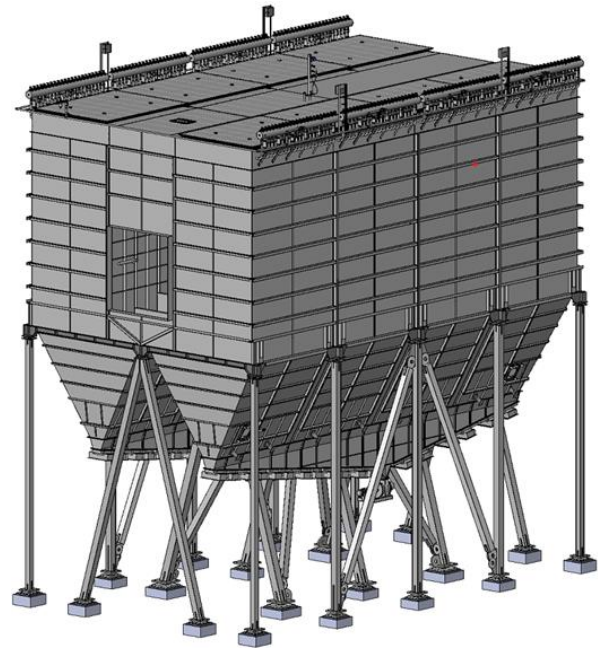
Effective fabric filter solution that meets the strictest dust emission requirements in medium to large gas flows.

Reducing upfront costs and proven in many installations worldwide, it comes as a standard (UC) or as an explosion proof type (UC-C). It is a well proven design with over 150 installations worldwide.

Benefits

Efficiency

- Bottom entry gas approach, where the gas enters from the bottom of the bags, through a special designed inlet arrangement, ensuring even distribution along the full length. This ensures a low, uniform velocity over the entire bag filtration area.
- Optimal control of gas distribution and large inlet area, with significant dust being pre-separated directly to the hopper. compressed air usage and increases the lifetime of the bags, leading to lower OPEX.
- UC can be equipped with outlet dampers for online trouble shooting.
- The pulse jet system automatically cleans the bags row-by-row even as the dust is being filtered. Cleaning is online, the semi-offline is available on request.



Savings

- Simatek's UniClean filters ensure an outstanding performance at a low operational cost.
- Thanks to the unique gas distribution and pre-separation of dust, the pulse jet cleaning system operates with a minimal number of cleaning cycles, resulting in low compressed air consumption, less wear of the bags and an increased bag lifetime.
- The Gas Distribution Screens are optimized with Computational Fluid Dynamics to achieve best distribution with the lowest possible pressure drop.

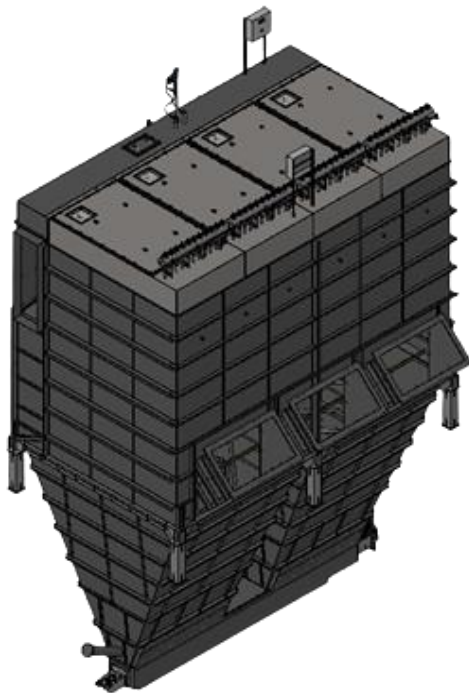
Flexibility

- The design offers a great flexibility, thus there is a tailor-made filter design for any low to high gas flow.
- You can separate almost any kind of dust – fine, abrasive, sticky or explosive.
- Possibility of use various type of bags (materials and sizes)

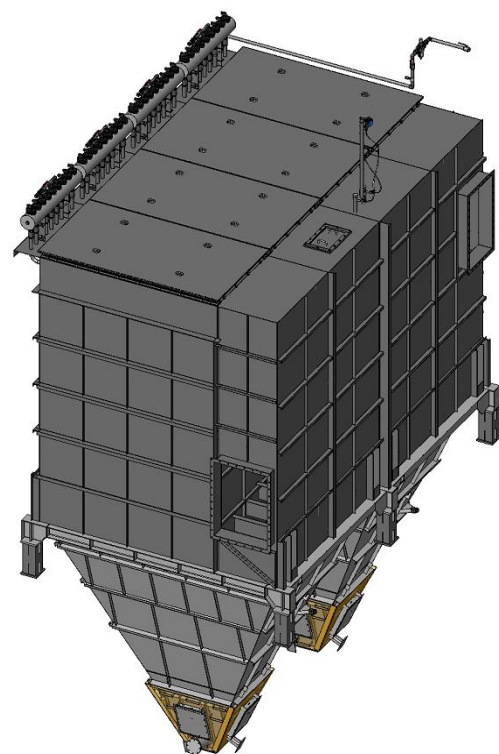
Features

- Capacity: 20.000 – 850.000 m³/h
- Filter size: 350 – 12000 m² filter surface.
- Standard min. 4% vacuum (400 mmWC)
- Bag length: 4.5-6, 5" bag preferred
- Works on dry, abrasive and sticky products
- Unique gas distribution system
- Outlet damper optional (not UC-C)
- Controller is designed for both serial and parallel interface. PLC is optional.
- Burst detector for fast detection of faulty bags option available
- Complying with the ATEX directive (UC-C only)
- Indoor installation with explosion vent following European standard EN14491 or the German guidelines VDI 3673 (UC-C only)

UC-C filter



UC filter



Industries we serve for emission control and product recovery (detailed industry segments on our homepage)

- Cement & Lime
- Grain & Feed
- Energy & Waste
- Food & Dairy
- Speciality Powder
- Chemical & Mineral resources