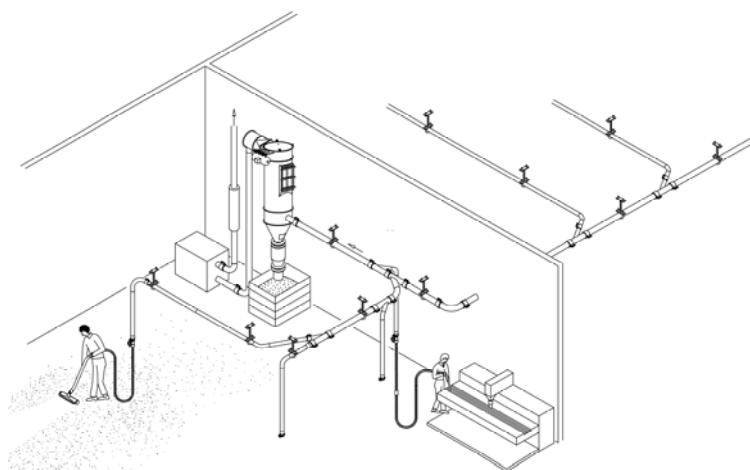


Dimensioning

SimVac is dimensioned from 3 to 110 kW, depending on capacity and application.



Information required for quotation for central vacuum cleaning system.

Company

Contact person:

E-mail

Tel. no.

1.	Name of project		
2.	Total number of suction points		pcs.
3.	Number of suction points in concurrent operation	ø38 mm	pcs. (cleaning of machinery)
		ø50 mm	pcs. (floor cleaning)
4.	Max. distance from the filter to the farthest suction point		m
5.	Product / type of dust		
6.	Number of storeys		
7.	In case of more than one storey, please inform at which storey the filter is to be installed		
8.	How will dust collection after the filter take place	Box	Dust bin
		Big-bag	Trough conveyor
9.	Explosion venting of the filter	Yes:	No:
		Kst value:	Pmax value:

To be returned to office@simatek.dk